



SERIES QLA 00, SUBMINIATURE COAXIAL CONNECTORS

DESCRIPTION

The QLA 00 series contains connectors with a quick latch coupling mechanism: connection is achieved by simply pushing the plug into the jack. 3 latching springs automatically engage, thereby securing the mated connectors against axial and rotational forces. No twisting action is required. The connectors are easily released by slightly pulling back the outer sleeve of the plug. This coupling mechanism provides a fast and reliable connection for applications up to 1.4 GHz.

Compatibility

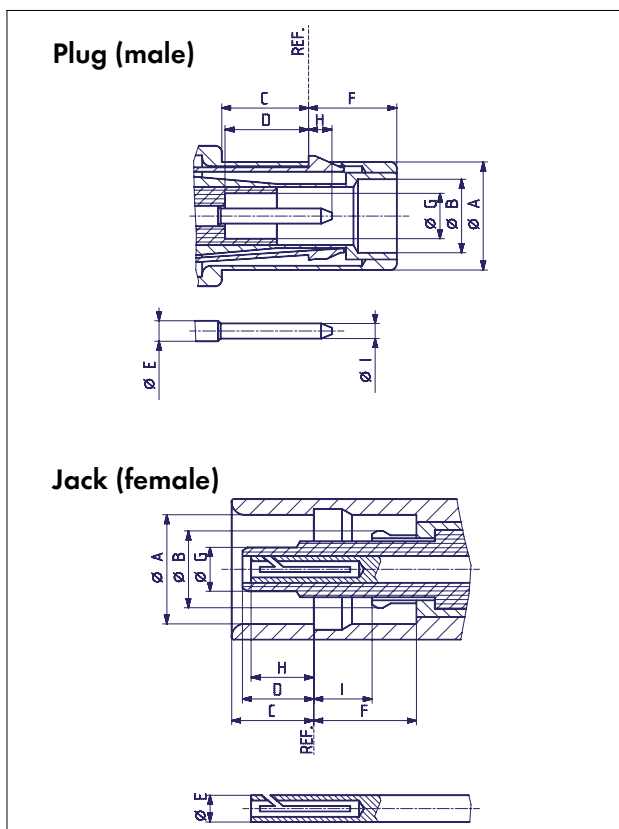
All connectors of the series QLA 00 are without any restrictions intermateable with Lemo series 00.250.

CONTENTS

Description	157
Interface dimensions	157
Interface dimensions in mm / inches	157
Standards	157
Technical data	158
Cable connectors	160
Receptacles with solder end	163
PCB connectors	164
Shorting plugs	164

PAGE

INTERFACE DIMENSIONS



INTERFACE DIMENSIONS (MM / INCHES)

	Plug		Jack	
	min.	max.	min.	max.
A	4.96/.195	5.03/.198	5.05/.199	5.11/.201
B	3.38/.133	3.44/.135	3.50/.138*	3.55/.140*
C	3.93/.155	4.08/.161	3.73/.147	3.86/.152
D	3.55/.140	–	–	3.48/.137
E	0.95/.037 nom.		1.24/.049 nom.	
F	4.00/.157	4.16/.164	4.23/.167	4.88/.192
G	2.10/0.83	2.16/.085	1.95/.077	2.03/.080
H	–	1.32/.052	–	3.30/.130
I	0.69/.027	0.72/.028	2.35/.093	2.90/.114

* prior to slotting

Interface dimensions conformable to the Standards:

NIM-CAMAC-Standard CD/N549

IP rating (interface, mated) IP50

QLA

TECHNICAL DATA

ELECTRICAL DATA	REQUIREMENTS
Impedance	50 Ω
Frequency range	DC ... 1.4 GHz
Dielectric withstanding voltage (at sea level)	1.5 kV, 50 Hz
Working voltage (at sea level) - unmated - mated	\leq 300 V rms, 50 Hz \leq 500 V rms, 50 Hz
Insulation resistance	\geq 10 ⁶ M Ω
Contact resistance - centre contact - outer contact	\leq 4 m Ω \leq 2 m Ω
VSWR (typical value for mated connector pair) 11 QLA - 21 QLA	DC ... 300 MHz = 1.15 300 MHz - 1.4 GHz = 1.20
RF-leakage (measured at 500 MHz)	\geq 80 dB

MECHANICAL DATA	REQUIREMENTS
Engagement force	typ. 2 N / .45 lbs
Disengagement force	typ. 5 N / 1.1 lbs
Contact captivation	\geq 20 N / 4.5 lbs
Cable retention force ¹⁾	see pages 28 - 34
Durability (matings)	\geq 10 000

1) Value considers maximum load of the cables without irreversible variations of specifications.

ENVIRONMENTAL DATA	TEST CONDITIONS
Temperature range	- 55°C ... + 150°C / - 67 °F ... + 302 °F
Thermal shock	MIL-STD-202, Method 107, Condition B
Moisture resistance	MIL-STD-202, Method 106
Corrosion	Saltspray test acc. to MIL-STD-202, Method 101, Condition B
Vibration	MIL-STD-202, Method 204, Condition D
Shock	MIL-STD-202, Method 213, Condition I

MATERIAL DATA		
CONNECTOR PARTS	MATERIAL	PLATING
Bodies	brass, annealed	nickel
Pin contacts	brass, annealed	gold
Socket contacts	copper-beryllium alloy	gold
Crimp ferrules	copper	SUCOPLATE®
Insulators	PTFE or PFA	

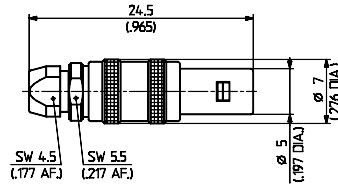
Some connectors may have a specification that differs from the above mentioned data.

The products are designed and guaranteed to pass the above mentioned test procedures. Any additional or different requirement arising from specific applications or environmental conditions which is not covered by these test procedures is subject to request.

CABLE CONNECTORS

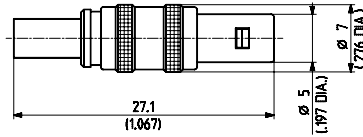
Straight cable plugs (male)

- > for flexible cables
- > cable entry clamp
- > centre contact soldered



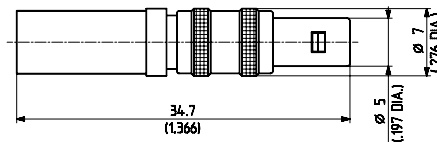
HUBER+SUHNER type	Item no.	Cable group (example)	Packaging	Assembly instruction	Notes
11_QLA-01-2-11/122_NE	22544536	U2 (EF 316)	single	9008	

- > for flexible cables
- > HUBER+SUHNER® full crimp



HUBER+SUHNER type	Item no.	Cable group (example)	Packaging	Assembly instruction	Crimp insert
11_QLA-01-1-8/122_NE	22641146	U1 (EF 178)	single	9007	1 A
11_QLA-01-2-8/122_NE	22544043	U2 (EF 316)	single	9007	1 A
11_QLA-01-2-8/122_NH	22544042	U2 (EF 316)	bulk 100 pcs.	9007	1 A
11_QLA-01-2-9/122_NH	22648228	U4 (EF 316 D)	bulk 100 pcs.	9007	1 A
11_QLA-01-2-13/122_NH	22644547	U3 (G 01130 HT)	bulk 100 pcs.	27020	1 A

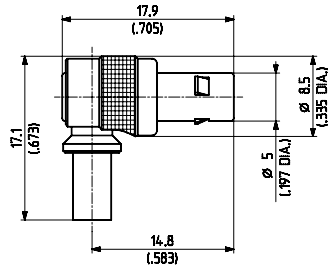
- > for flexible cables
- > HUBER+SUHNER® full crimp



HUBER+SUHNER type	Item no.	Cable group (example)	Packaging	Assembly instruction	Crimp insert
11_QLA-01-3-1/122_NE	22641313	U7 (RG 58 C/U)	single	3015	2 B
11_QLA-01-3-2/122_NE	22643326	U9 (RG 223/U)	single	3015	2 B

Right angle cable plugs (male)

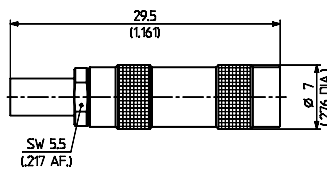
- > for flexible cables
- > cable entry crimp
- > centre contact soldered



HUBER+SUHNER type	Item no.	Cable group (example)	Packaging	Assembly instruction	Crimp insert
16_QLA-01-1-1/122_NE	22640011	U1 (EF 178)	single	3091	A
16_QLA-01-2-1/122_NE	22640013	U2 (EF 316)	single	3091	A
16_QLA-01-2-13/122_NE	22544279	U3 (G 01130 HT)	single	3091	A
16_QLA-01-2-4/122_NE	22640015	U4 (EF 316 D)	single	3091	A
16_QLA-01-2-4/122_NH	22646619	U4 (EF 316 D)	bulk 100 pcs.	3091	A

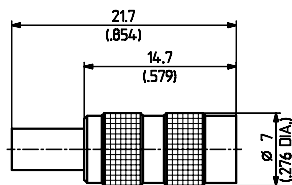
Straight cable jacks (female)

- > for flexible cables
- > cable entry crimp
- > centre contact soldered



HUBER+SUHNER type	Item no.	Cable group (example)	Packaging	Assembly instruction	Crimp insert
21_QLA-01-2-1/112_NE	22640019	U2 (EF 316)	single	3089	A
21_QLA-01-2-1/112_NH	22651746	U2 (EF 316)	bulk 100 pcs.	3089	A

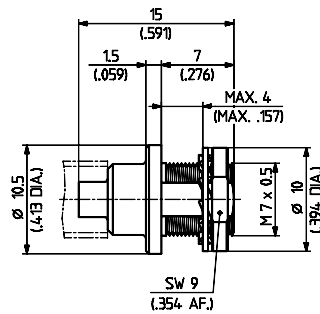
- > for flexible cables
- > HUBER+SUHNER® full crimp



HUBER+SUHNER type	Item no.	Cable group (example)	Packaging	Assembly instruction	Crimp insert
21_QLA-01-2-5/112_NH	22652371	U2 (EF 316)	bulk 100 pcs.	27158	1 A

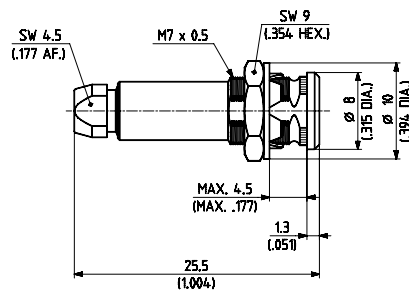
Straight bulkhead cable jacks (female)

- > for semi-rigid cables
- > cable entry soldered
- > centre contact plugged-in



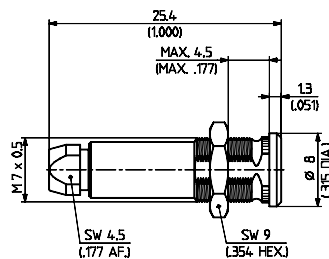
HUBER+SUHNER type	Item no.	Cable group (example)	Packaging	Assembly instruction/ Mounting hole
24_QLA-01-2-5/112_NH	23002772	Y11,Y3 (Sucoform 86)	bulk 100 pcs.	27362 / ML 20

- > for flexible cables
- > cable entry clamp
- > centre contact soldered



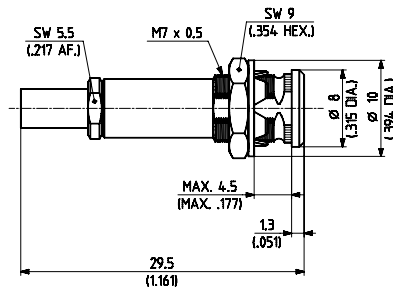
HUBER+SUHNER type	Item no.	Cable group (example)	Packaging	Assembly Instruction/ Mounting Hole	Notes
24_QLA-01-1-11/112_NE	22642297	U1 (EF 178)	single	9008/ML 99	max. cable diameter 2.10 mm/.093 in.
24_QLA-01-2-11/112_NE	22544535	U2 (EF 316)	single	9008/ML 99	max. cable diameter 2.90 mm/.114 in.

- > for flexible cables
- > cable entry clamp
- > centre contact soldered



HUBER+SUHNER type	Item no.	Cable group (example)	Packaging	Assembly Instruction/ Mounting Hole	Notes
24_QLA-01-1-12/112_NH	22659147	U1 (RG 178 B/U)	bulk 100 pcs.	9008/ML 23	max. cable diameter 2.10 mm/.093 in.

- > for flexible cables
- > cable entry crimp
- > centre contact soldered



HUBER+SUHNER type	Item no.	Cable group (example)	Packaging	Assembly Instruction/ Mounting Hole	Crimp insert
24_QLA-01-2-1/112_NE	22640026	U2 (RG 316/U)	single	3089/ML 99	A

RECEPTACLES WITH SOLDER END

Receptacles, jacks (female)

- > bulkhead mounted

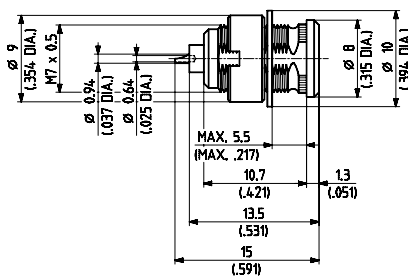


Fig. 1

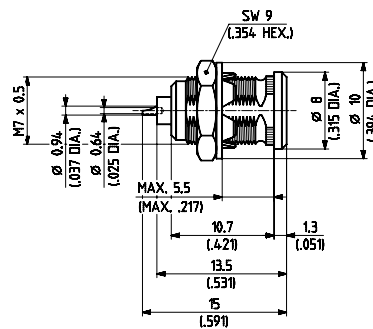
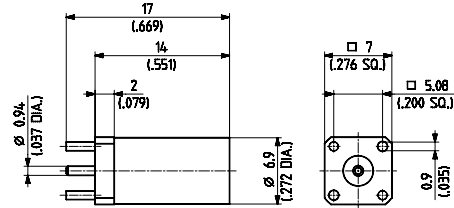


Fig. 2

HUBER+SUHNER type	Item no.	Packaging	Mounting hole	Fig.	Crimp insert
22_QLA-01-0-1/112_NE	22640023	single	ML 23	1	assembly tool 74_Z-0-0-25 required
22_QLA-01-0-1/112_NH	22646308	bulk 100 pcs.	ML 23	1	assembly tool 74_Z-0-0-25 required
22_QLA-01-0-2/112_NE	22640024	single	ML 99	2	counter sunk from rear

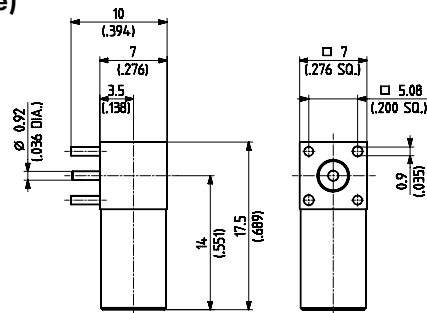
PCB CONNECTORS

Straight PCB jacks (female)



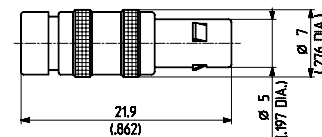
HUBER+SUHNER type	Item no.	Packaging	Mounting hole	Notes
82_QLA-01-0-2/112_NE	22543414	single	ML 97	without stand-off

Right angle PCB jacks (female)



HUBER+SUHNER type	Item no.	Packaging	Mounting hole	Notes
85_QLA-01-0-2/112_NE	22640039	single	ML 97	without stand-off
85_QLA-01-0-2/110_NH	22646483	bulk 100 pcs.	ML 97	without stand-off
85_QLA-01-0-2/122_NE	22651770	single	ML 97	without stand-off

SHORTING PLUGS



HUBER+SUHNER type	Item no.	Packaging	Notes
64_QLA-01-0-1/122_NE	22640035	single	